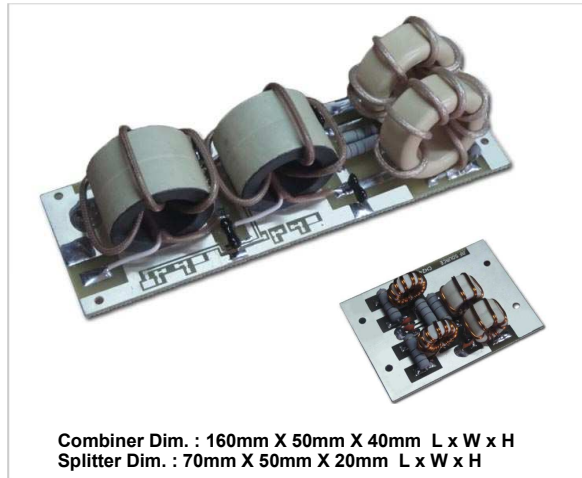


2KW HF Combiner

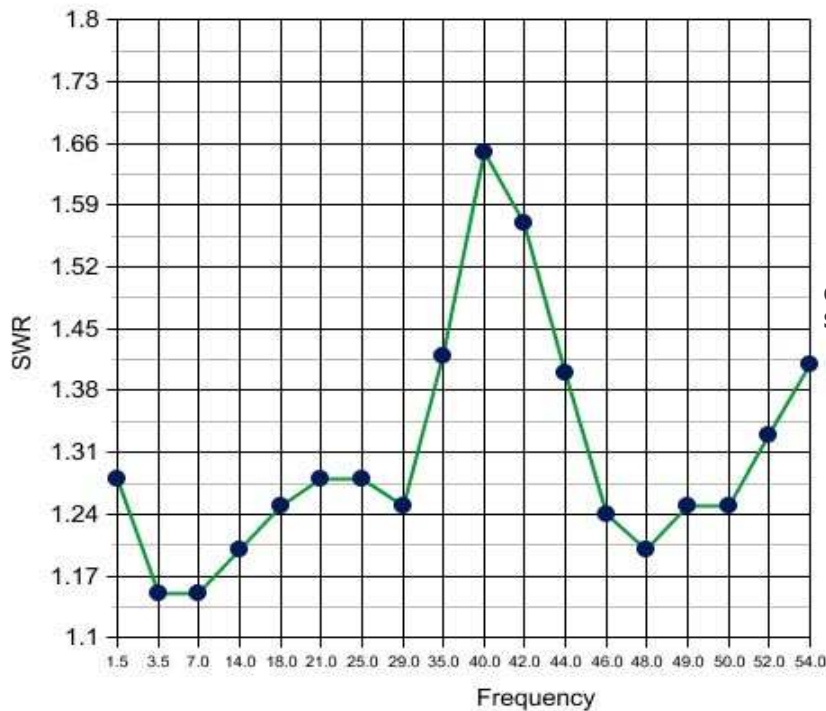
4 way Power Splitter - Combiner
Designed for combining RF Power
Amplifiers in the HF 1.5 - 54 MHz
Frequency range.

- o 1.5 - 54.0 MHz
- o 50 Ohm ports
- o Pout : 2KW P.E.P. AM-SSB
- o 4 x 500 W P.E.P in
- o isolation >30 db
- o insertion loss 0.3 db max

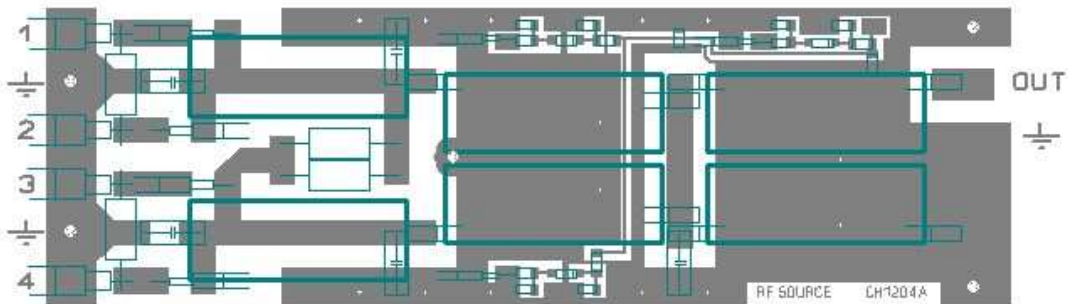
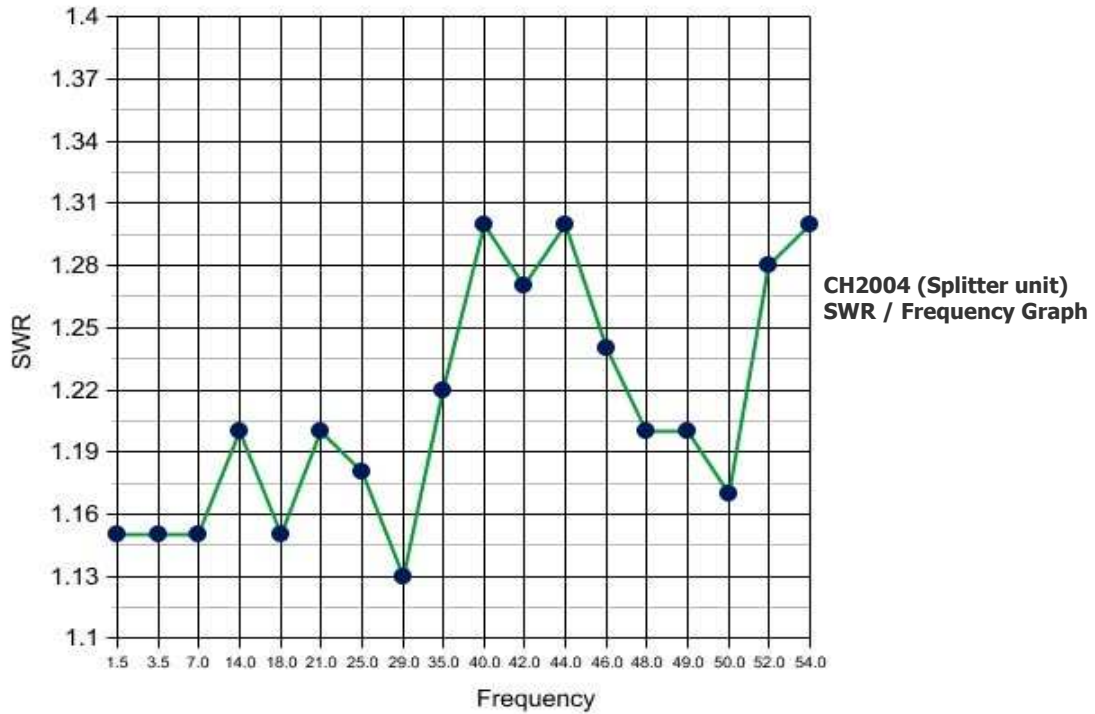


ELECTRICAL SPECIFICATIONS

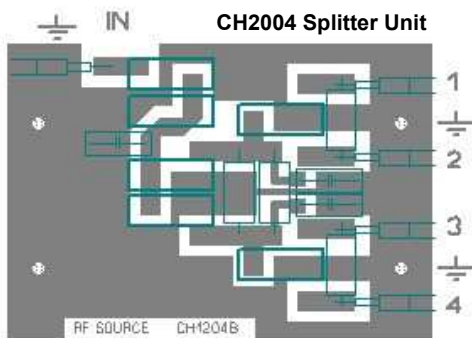
Characteristics	Min.	Typ.	Max.	Unit
Frequency	1.5		54.0	MHz
Output Power Combiner unit			2000	Watt P.E.P < 30 MHz
Output Power Combiner unit			2000	Watt P.E.P > 30 MHz
Input Power Combiner unit			500	Watt P.E.P
Input Power Splitter unit			100	Watt P.E.P
SWR Combiner unit	1.15 : 1	1.4 : 1	1.65 : 1	
SWR Splitter unit	1.15 : 1	1.2 : 1	1.35 : 1	



CH2004 (Combiner unit)
SWR / Frequency Graph



CH2004 Combiner Unit



- NOTE 1:**
Both Splitter and Combiner boards of CH2004 must be mounting on aluminium or other metallic material
- NOTE 2:**
All available holes must be used for mounting using metallic screws. All holes are GND point's

IMPORTANT NOTICE

RF Source RESERVE THE RIGHT TO MAKE CHANGES TO THE PRODUCT(S) OR INFORMATION CONTAINED HEREIN WITHOUT NOTICE. WARRANTY INFORMATION APPLICABLE TO THE PRODUCT IDENTIFIED HEREIN IS AVAILABLE UPON REQUEST. RF Source EXPRESSLY DISCLAIMS ALL OTHER WARRANTIES, EXPRESS AND/OR IMPLIED INCLUDING BUT NOT LIMITED TO WARRANTIES OF MERCHANTABILITY, AND OF FITNESS FOR A PARTICULAR PURPOSE, USE OR APPLICATION. No part of this document may be copied or reproduced in any form or by any means without the prior written consent of RF Source.

WARNING

RF Source PRODUCTS ARE NOT INTENDED FOR USE IN LIFE SUPPORT APPLIANCES, DEVICES OR SYSTEMS. USE OF AN RF Source PRODUCT IN ANY SUCH APPLICATION WITHOUT WRITTEN CONSENT IS PROHIBITED.